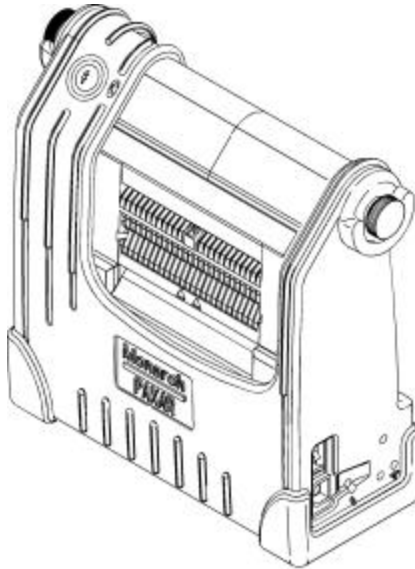


# USING THE 9491™ BOOT KIT

The Monarch® Renegade® 4 printer's boot protects it if you accidentally drop it, hit it against something, or jar it in some other manner. Following is an illustration of the boot on the printer.



## **Contents of the Boot Kit**

---

The boot kit comes with:

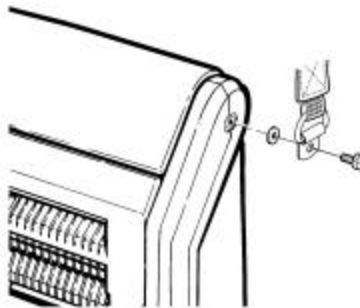
- ◆ the boot.
- ◆ two knobs.
- ◆ two white spacers to use with the knobs.
- ◆ two black spacers and two screws (industrial version printer only).

## Putting the Boot on the Printer

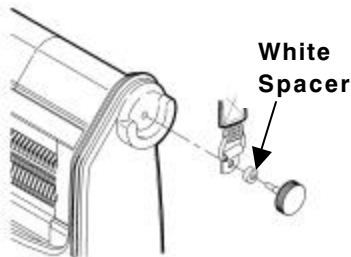
---

To put the boot on the printer:

1. **Industrial Version Only.** Remove the cable from the side of the printer. Save the cable's screws for when you want to use the printer without the boot.
2. Unscrew the screw assemblies at the top of the printer (either shoulder strap is optional), and take them off. Save them for when you want to use the printer without the boot.



3. Pull on the boot and fit it around the printer.
4. **With Shoulder Strap Only.** For both sides of the printer, put together the knob assembly and screw it into the threaded insert. Do not over-tighten the assembly.

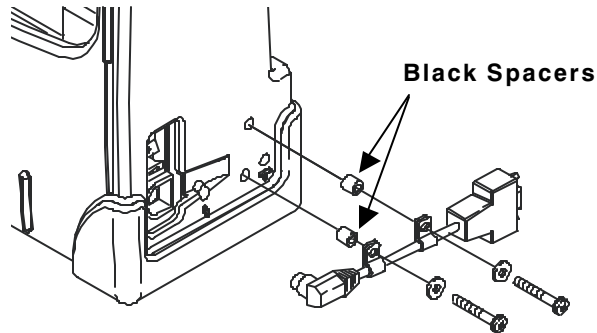


**Using the Old Strap**



**Using the New Strap**

- 6. Industrial Version Only.** Put together screw assemblies using the longer screws. Then, replace the cable.



## **Taking the Boot off the Printer**

---

To take the boot off the printer:

- 1. Industrial Version Only.** Remove the cable from the side of the printer. Save the spacers and longer screws for when you want to use the printer with the boot.
- 2. With Shoulder Strap Only.** Unscrew the knob assemblies on both sides of the printer (including the shoulder strap, if used), and take them off.
- 3.** Pull on the boot and remove it from around the printer.
- 4.** For both sides of the printer (at the top), put the screw assemblies together (including either shoulder strap, if preferred), put them into the threaded inserts and screw them in.

—————  
Do not over-tighten the assembly.  
—————

- 5. Industrial Version Only.** Reattach the cable using the shorter screws without the spacers.

For supplies, service, or assistance,  
call toll-free:

1-800-543-6650 (In the U.S.A.) or  
1-800-263-4650 (In Canada)

[www.monarch.com](http://www.monarch.com)